

TOSHIBA

Operation Manual

For Plasma TV/LCD color TV

Toshiba Wall Mounting

Model

WAPL10C



● **Thank you for purchasing this Toshiba wall mounting.**

For correct use, please read this manual carefully.

This wall mounting is designed exclusively for a Toshiba Plasma TV and a Toshiba LCD color TV.

Before use of this wall mounting, please confirm the model of the Plasma TV and the LCD color TV applicable or not by the addendum.

Special skill and knowledge are required for the wall mounting. Please ask qualified installers for installation.

■ **Notice for TV users**

Before use, please read this assembly manual carefully for correct use.

This manual should be saved and kept on hand as a convenient reference.

■ **Notice for installers**

Before installation, please read this assembly manual carefully for correct installation.

For safety of the user, please make sure the installation area has enough strength to bear the weight of TV display and wall mounting (*1), and strengthen the wall as per the need before the installation.

The installation must be done by two persons at least.

Please make sure no screw or part disassembled is missed.

Please consult thoroughly with the user before the application, and start the operation upon the agreement of the user.

Once the application is finished, please check and make sure it has been installed safely and correctly, and then hand this operation manual of wall mounting to the user.

*1 **About the wall structure and material to fix the wall mounting**

Wall to fix the wall mounting

The table below shows examples of fixing methods wall materials. Please choose safer and more reliable fixing method confirming the structure and strength of actual installation area.

Fixing bolt/screw applicable to various wall materials



| Wall material | Mounting screw |
|-----------------|--|
| Plasterboard | Cannot be installed on plasterboard or plywood. Should be fixed to the beam. |
| Composite board | |
| Concrete | Full setscrew or threaded board. |
| Block | Binding mounting screw |
| ALC | |
| Mortar | |
| Brick | |
| Woodpillar | Coach screw (ø6mm x 60mm) |

● A crucial screwdriver with a handle length of 300mm or longer is required for the installation. Please prepare it beforehand.

Notice for Safety

To prevent human hazards or property damage and ensure safe and correct use, this manual mentions some important content such as the installation method. Please read it with full understanding of the following (diagram & marks) and observe the items mentioned.

[Marks]

| Mark | Meaning of the mark |
|---|--|
|  Warning | Indicates "It could result in your death or serious injury* ¹ if you don't follow instructions" |
|  Caution | Indicates "It could result in your injury* ² or property damage* ³ if you don't follow instructions" |

- *1: Serious injury herein refers to conditions such as blindness, wound, bur (whether high or low temperature), electric shock, fracture, poisoning etc. which may leave a sequela and require hospitalization or long medical treatment.
- *2: Injury herein refers to conditions such as wound, burn or electric shock etc. which does not require hospitalization or long medical treatment.
- *3: Property damage herein refers to damage of house, household, livestock or pet involved.

[Symbols]

Symbol



Prohibition



Direction

Meaning of the Symbol

"⊘" indicates a prohibited action (Do not do).

The action prohibited is described within or near the symbol by diagram or words.

"❗" indicates a required action (Do).

The action required is described within or near the symbol by diagram or words.

■ Exemptions

- Toshiba is not liable for any damage caused by natural disaster (such as fire, earthquake), by the act of the third person, accidents, owner's intentional acts, negligence, misuse, or uses in other improper conditions.
- Toshiba is not liable for incidental damages (such as profit loss or interruption in business, loss of TV subscribing fee etc.) caused by use or being unable to use of the product.
- Toshiba is not liable for any damage caused by neglect of the instruction described in the operation manual.
- Toshiba is not liable for any damage caused by the combined use of this product with equipment not concerned with Toshiba.
- Toshiba is not liable for any injury/damage caused by improper installation of this product.
- If the product is installed to the wall and then dismantled, the screw hole and mounting screws will remain on the wall.
- Over an extended period of use of your Plasma TV/liquid crystal color TV, dirt or discoloration may occur to the supporting wall.

Notice for Safety continued

◆ Notice for Plasma TV/LCD color TV users

Warning

- **Please ask qualified installers to install or move the equipment to or from the wall.**

The application defect could result in injury.
If the equipment has to be dismantled for scrapping, etc. please also ask qualified installers to do it.
Please contact the dealer for extension or modification of cable wiring.



- **Check the installation condition once a month for any toppling or shake.**

The TV may topple if it is continuously used after the abnormality occurs, resulting in death, injury, or TV or floor damage.
Once the abnormality occurs, please contact the dealer for the check and repair.



Direction

- **Do not swing under the TV, wall mounting, nor climb or lean on it.**

Otherwise, it may fall, overturn or be damaged, resulting in injury.
The family with children in particular should pay full attention to it.



Prohibition

- **Do not hang or place anything on wall mounting or TV.**

Otherwise the object placed on the TV may fall and cause death or injury.



Prohibition

- **Do not attempt to repair, disassemble or modify the wall mounting on your own.**

Otherwise the wall mounting may fall and cause injury.
Please contact the dealer for repair, if necessary.



Disassembly
prohibited

- **Do not allow the wall mounting to clip electrical wire or other connections.**

Otherwise the electrical wire may be damaged and cause shock or fire.



Prohibition

- **Do not get into or walk through under the TV.**

If you take a rest under the TV, you may be killed or hurt in the event of the fall of the equipment.
If you stand up under the TV or walk through nearby, make sure not to bump your head or face.



Prohibition

◆ Notice for installers

Warning

- **Reinforce the installation area (wall) to make sure it is capable of bearing the weight including the TV and resistant to impact of earthquake or shock.**

Otherwise the TV may fall and cause death, injury or floor damage.

Please do the reinforcement if necessary. As for the total weight, please refer to the relevant specification.



Direction

- **TV installation should be done by at least two persons upon confirmation of the safety.**

Improper operation may lead to fall of the TV, resulting in death, injury, TV or floor damage etc.



Direction

- **When moving the TV**

- Pull out the plug, antenna, connection cable between equipments and phone line.
- Should be operated by two persons at least, keep the TV in upright position. Do not allow display panel upwards or downwards when moving the TV.
- Handle carefully when moving and placing, and avoid the strike to the TV.

The neglect of these instructions may break the electric wire, and may cause fire, shock, fall down, TV damage, even lead to injury.



Direction

- **Do not fix the wall mounting to a wall out of the vertical**

Otherwise the TV may fall, cause death, injury, damage of TV or floor.

And, ventilation of the TV may turn worse, cause inner heating, resulting in fire.



Prohibition

- **Do not install at places where may be splashed, such as outdoor or bathroom.**

Otherwise it may cause fire or shock.



Splash
prohibited

- **Do not attempt to repair, disassemble or modify TV or wall mounting on your own.**

High voltage exists inside the TV, which may cause shock or fire.

Fall of the wall mounting may cause injury.

If the check, adjustment or repair inside the TV is required, please contact the dealer.



Disassembly
prohibited

- **Do not install in vibrant places**

Vibration may lead to TV moving or toppling, resulting in injury.



Prohibition

- **It is designed exclusively for a Toshiba Plasma color TV/a Toshiba LCD TV. Do not use it elsewhere.**

Otherwise may cause injury.



Prohibition

Notice for Safety continued

Warning

■ **Tighten all screws properly at the TV bracket.**

If the installation is improper, the TV may fall, resulting in death, injury, TV or floor damage etc.
Use of other screws may cause installation defect.



Direction

■ **Please choose proper wall mounting screws and fixing bolts in accordance with the installation places.**

Use of improper products may cause fall of the TV, leading to death, injury, TV or floor damage etc.
● No wall mounting screws and fixing bolts are supplied along with the product.



Direction

■ **Do not allow the wall mounting clip electric wire or other connections.**

Otherwise it may damage the electric wire, causing shock or fire.



Prohibition

■ **Once the installation is finished, make sure it is capable of bearing the weight for a long duration, and then hand this operation manual to the user.**

Improper installation may cause fall of the TV, leading to death, injury, TV or floor damage etc.



Direction

Caution

■ **Do not block the TV blowhole.**

If the blowhole is blocked, heat will be built up inside the TV, causing a fire.

- Leave a space of about 10cm around the equipment body.
- Do not install at the places with poor ventilation.
- Do not install at places with curtains.



Prohibition

■ **Do not install at places with high temperature**

Installation under direct sunshine, near stove or vent of air conditioner may cause heating or electric shock.

It may also cause case distortion, screen discoloration, damage, deterioration or damage of other parts, resulting in shock.



Prohibition

■ **Do not install at humid , sooty, or dusty place.**

Installation near a humidifier, stove or heavy dust may lead to heating or shock.



Prohibition

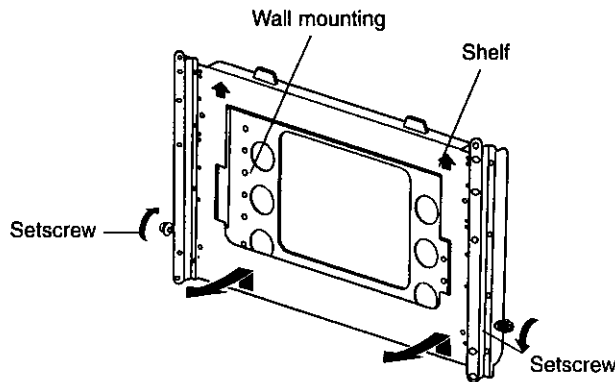
Assembling and Installation

(The operation must be done by qualified installers)

1 Dismantle the bracket

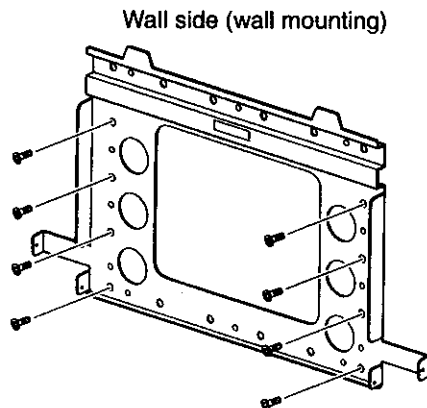
The wall mounting and shelf are assembled together when purchased. The shelf will be installed after the wall mounting be installed onto the wall. Before the operation, please separate the two parts.

Loosen the screws, raise the lower part of the shelf up and take it out of the bracket.



2 Secure the wall mounting to the wall

- Secure the bracket with market available mounting screws, make sure that it can bear sufficient weight. Fix setscrews firmly at a place which has a pillar.
(Please choose proper mounting bolts and screws in accordance with the wall structure and material.)



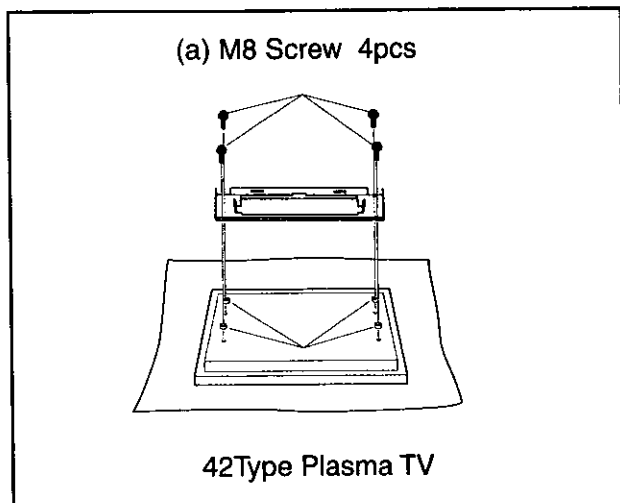
- Choose a safe and proper mounting method according to condition of the installation place with reference to the table on page 2.

Assembling and Installation Continued

3 Attach the shelf to the Plasma TV or LCD color TV with supplied screws or packing blocks

1. To prevent damage of the screen, please put a blanket or alike on a flat place and then put the plasma TV / the LCD color TV with the screen side facing down.
2. Tear the glue belt from the packing block and paste it onto the side of the TV set.

Plasma TV



* Please refer to the addendum for the dimension and assembling parts of the corresponding model.

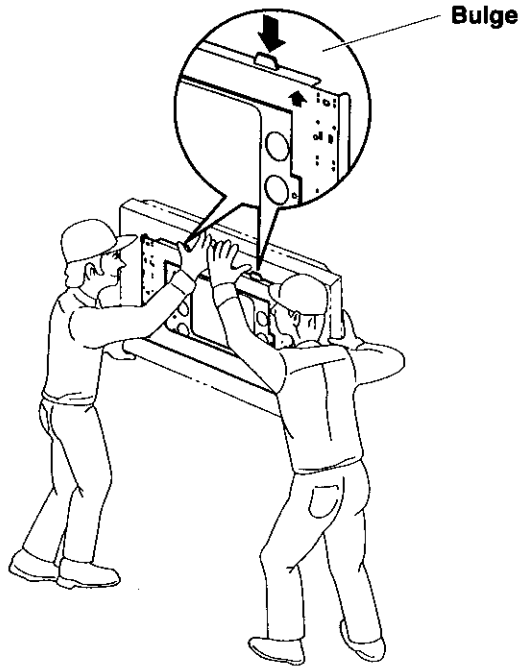
4 Before installing on the wall, please connect the wires

When deciding the cable wiring, please make sure the accessory equipment of the plasma TV / the LCD TV or wall mounting does not hook over or clip the wire.

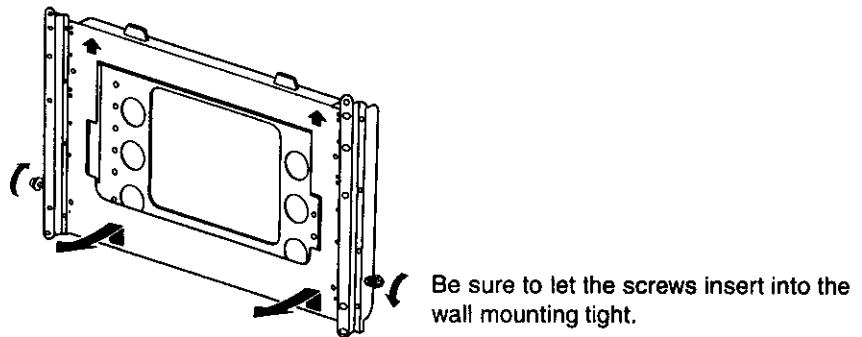
* The operation must be done by two persons or more.

5 Attach the Plasma TV or LCD color TV to the wall mounting.

1. Lift the Plasma TV or LCD color TV, align the bulge of the wall mounting.



2. Tighten the setscrews.



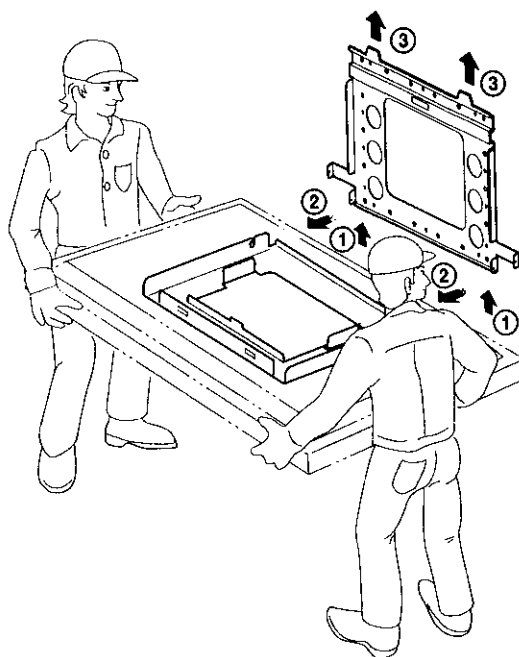
Disassembly

(The operation must be done by qualified installers)

* The operation must be done by two persons or more.

■ Remove the Plasma TV or LCD color TV from the wall mounting

1. Loosen the setscrews at the right side of the wall mounting .
2. Hold the bottom part of the Plasma TV or the LCD color TV with both hands, raise it up slightly and pull onward, remove the shelf from the support part at the lower side of the wall mounting. ① ②
3. Lift the Plasma TV or the LCD color TV, then remove the shelf from the upper bulge of the wall mounting. ③
4. Softly put the Plasma TV or the LCD color TV on the place with a blanket or alike with the screen side facing down.



Connections

When doing the connections, please debus the TV set first.

Toshiba Wall Mounting

Designed Exclusively for Plasma TV and LCD color TV

Model WAPL10C

This wall mounting is applicable for Toshiba Plasma TV/LCD color TV 42WP56.

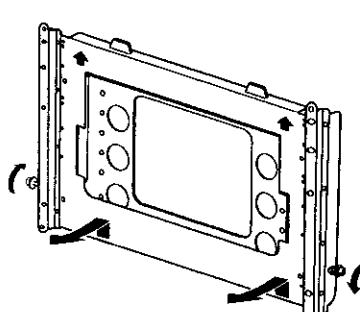
Disassemble the stand

When this product is used on LCD color TV, please first remove the stand attached to the TV body by the following steps, then assemble in accordance with the operation manual.


Parts List

Parts

Please make sure that all the parts are included.

| WAPL10C Parts | Quantity |
|--|----------|
| Body  | 1 |

Small parts in the box

| NO. | WAPL10C | Product | Qty |
|-----|---|------------------|-----|
| (a) | M8 x 20 Screw  | 42Type Plasma TV | 4 |

